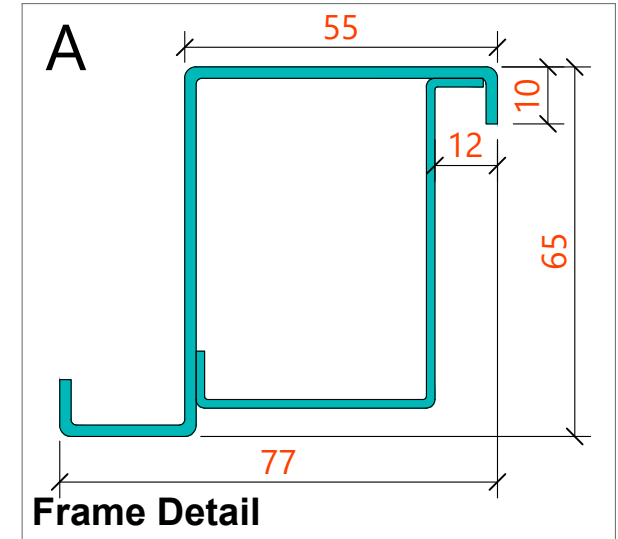
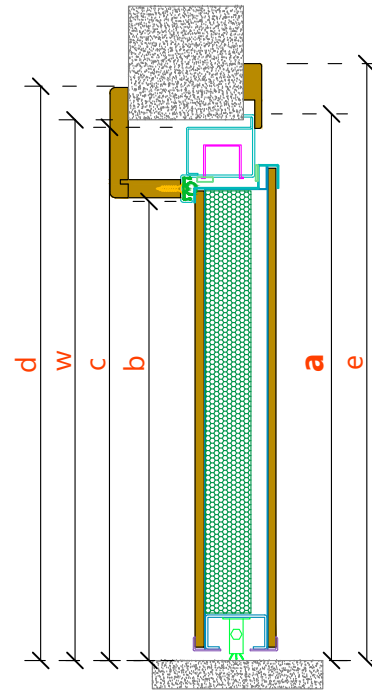
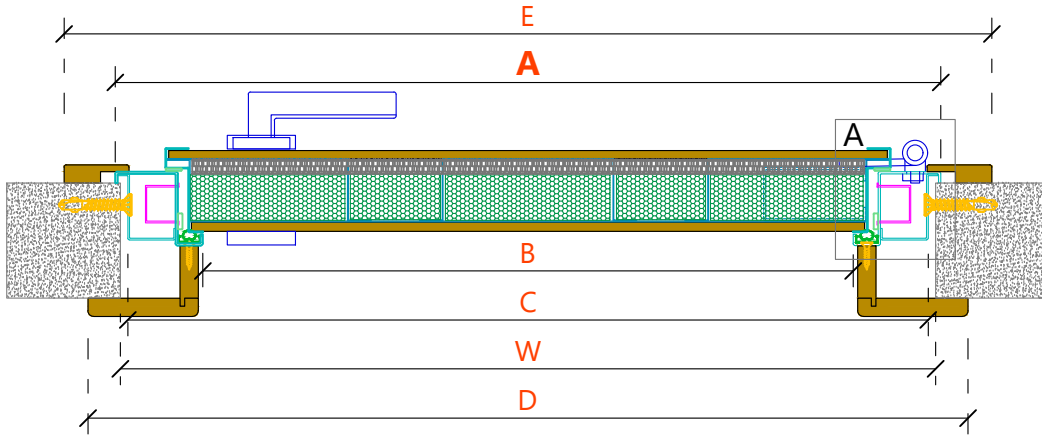


S14F Specs and Dimensions



Dimensions S14F													
Width						Height							
W	A	B	C	D	E	w	a	b	c	d	e		
From	To	Outside Frame Dimension	Clear passage	Inside Frame Dimension	Exterior Architraves	Interior Architraves	From	To	Outside Frame Dimension	Clear Passage	Inside Frame Dimension	Outside Architraves	Inside Architraves
990	999	1000	844	976	1050	1090	2145	2154	2150	2073	2138	2175	2195
-10	-1	0	-156	-24	50	90	-5	4	0	-77	-12	25	45

Dimensions per 1cm up to A=1100 x a=2400
All orders are executed using dimensions A & a, wall thickness, and way of opening looking from the push side

S14F Specs

Typology

Single-leaf

Doorleaf / certification

Fire-rated (45min) armoured door. Galvanized steel core, reinforced with 3 beams, insulated with rockwool and plasterboard. Panels are mounted using a steel restraint profile in the colour of the frame

Frame

Steel tubular frame in black powder-coat, decorated with architraves in the same colour with the panels

Dimensions

Dimensions per 1cm up to 110cm x 240cm (frame dimension)

Locking System

Locking system with 14 points (8 moving, 6 fixed) and opening limiter - latch. Branded european cylinder with 1 + 5 keys

Hinges

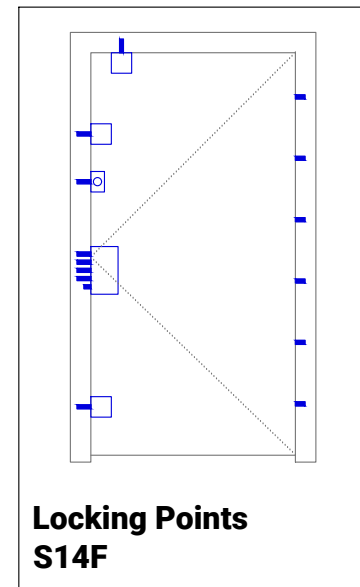
Two heavy-duty hinges, adjustable in two dimensions

Handles

Lever, limiter latch, outside ball handle, eye-viewer in argent or bronze colour

Insulation

Steel bottom seal, insulation rubber seal to the frame, heat expandable gaskets, optional drop-down seal



Locking Points
S14F

S14F
Our fire-rated (EI45),
apartment entrance
door...

