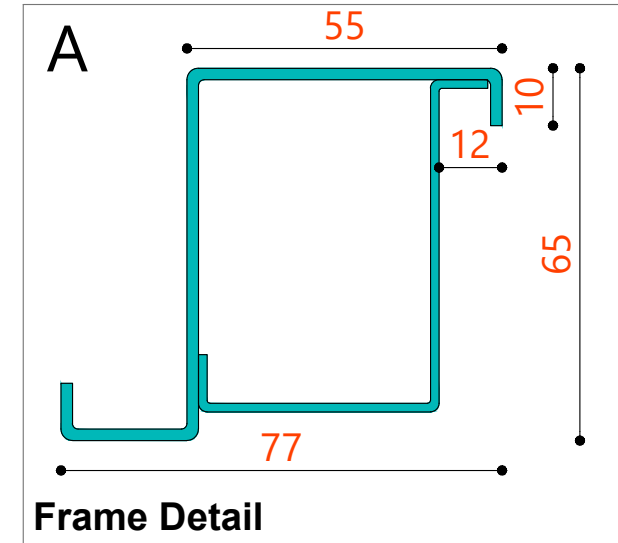
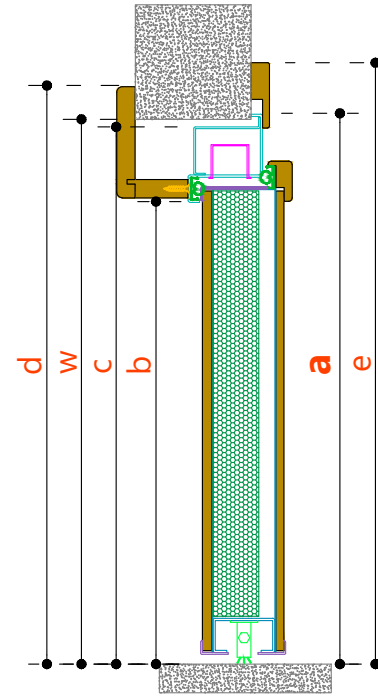
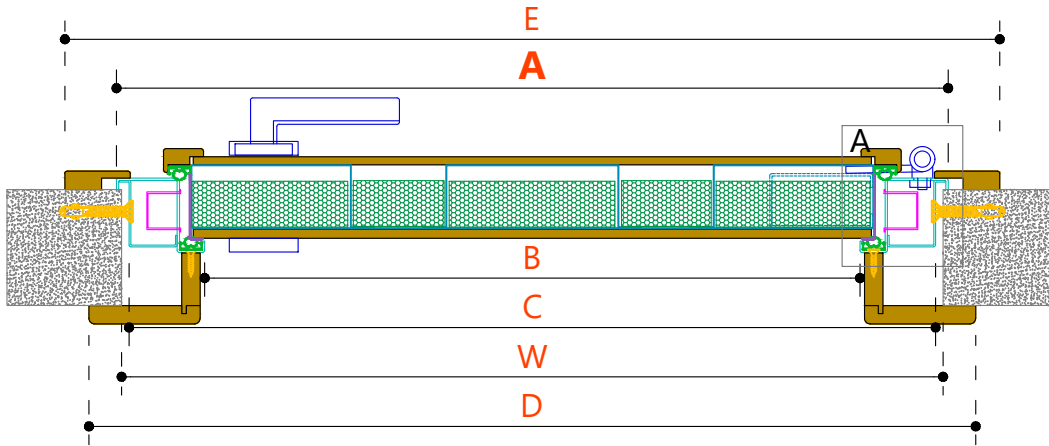


S14 Specs and Dimensions



Dimensions S14													
Width						Height							
W		A	B	C	D	E	w		a	b	c	e	
From	To	Outside Frame Dimension	Clear passage	Inside Frame Dimension	Exterior Architraves	Interior Architraves	From	To	Outside Frame Dimension	Clear Passage	Inside Frame Dimension	Outside Architraves	Inside Architraves
990	999	1000	844	976	1050	1090	2145	2154	2150	2073	2138	2175	2195
-10	-1	0	-156	-24	50	90	-5	4	0	-77	-12	25	45

Dimensions made to measure per 1cm A=1350 x a=3000
All orders are executed using dimensions A & a, wall thickness, and way of opening looking from the push side

Specs S14

Typology

Single-leaf / Double-leaf / Fixings

Doorleaf / certification

Armoured door, certified in burglar resistance (RC3). Galvanized steel core, reinforced with 3 beams, insulated with rockwool. Επενδύσεις πάνελ 6-8mm σε κάθε πλευρά. Panels are mounted using a steel restraint profile in the colour of the frame on the outside, and a wooden profile (M35) on the inside.

Frame

Steel tubular frame in black powder-coat (other colours available on request), decorated with architraves in the same colour with the panels

Dimensions

Dimensions made to measure up to 135cm x 300cm (A size).

Locking System

Locking system with 14 points (8 moving, 6 fixed) and opening limiter - latch. Gear lock, european cylinder with 1 + 5 keys

Hinges

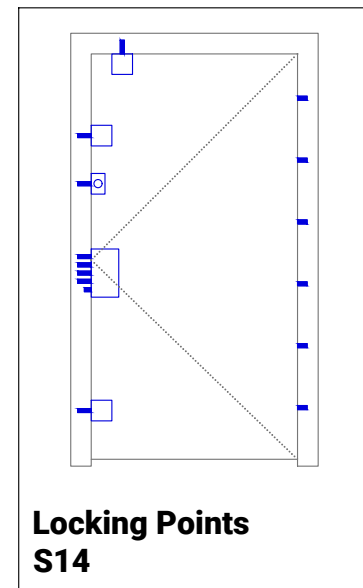
Two heavy-duty hinges, adjustable in two dimensions

Handles

Lever, limiter latch, outside ball handle, eye-viewer in argent or bronze colour

Insulation

Dropdown seal on the bottom, double insulation gaskets on the leaf and frame part



Locking Points S14

S14

**Certified security,
endless possibilities...**

