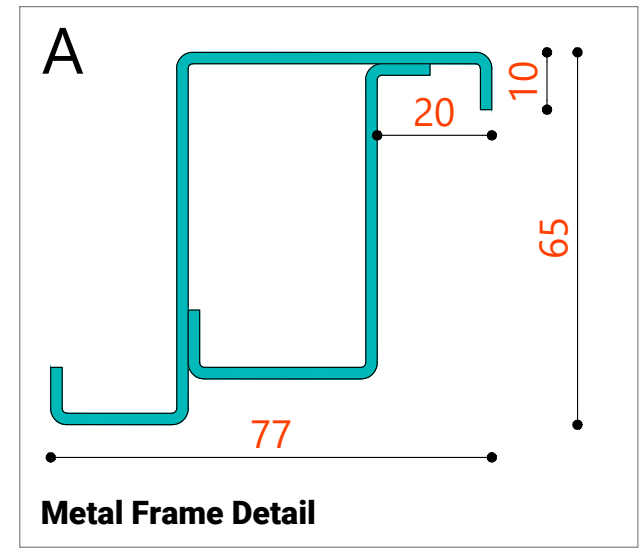
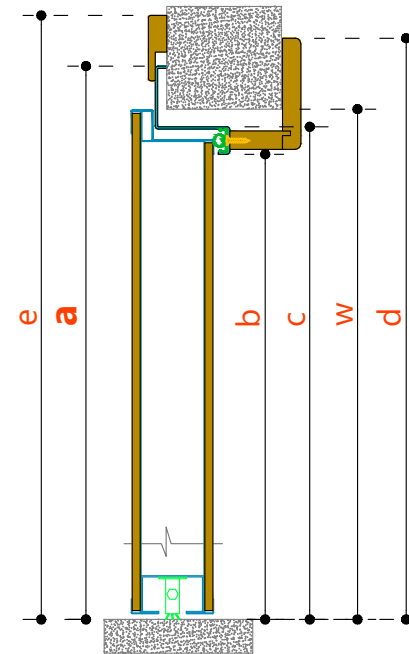
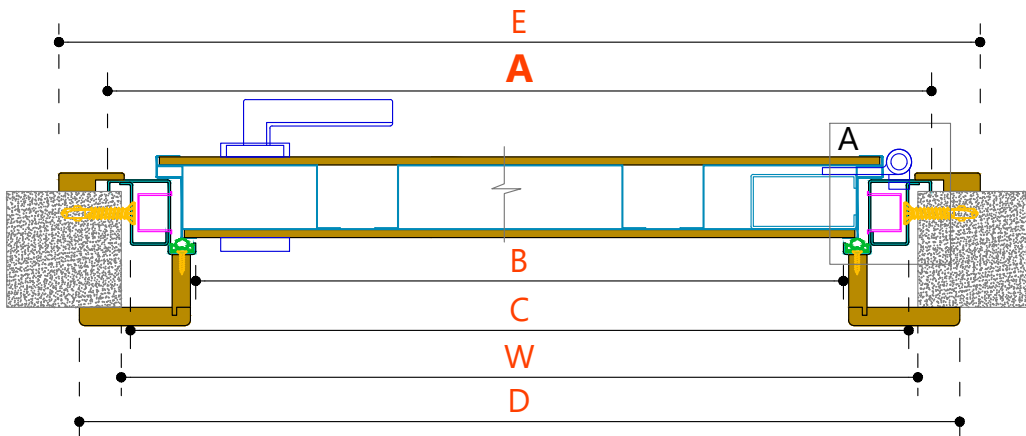


# ECO PLUS Specs and Dimensions



Dimensions ECO PLUS													
Width						Height							
From	To	A	B	C	D	E	From	To	a	b	c	d	e
		Outside Frame Dimension	Clear passage	Inside Frame Dimension	Exterior Architraves	Interior Architraves			Outside Frame Dimension	Clear Passage	Inside Frame Dimension	Outside Architraves	Inside Architraves
881	930	920	764	880	970	1010	1998	2050	2050	1973	1997	2075	2095
931	980	970	814	930	1020	1060	2048	2100	2100	2023	2047	2125	2145
981	1030	1020	864	980	1070	1110	2098	2150	2150	2073	2097	2175	2195
							2148	2200	2200	2123	2147	2225	2245

Standard Dimensions. Possibility for dimensions per 1cm up to A=1050 x a=2200  
 All orders are executed using dimensions A & a, wall thickness, and way of opening looking from the push side

## ECO PLUS Specs

### Typology

Single-leaf / Double-leaf / Fixings

### Doorleaf

Armoured door chassis with galvanized steel core, reinforced with 3 beams and paneled with 7mm panels on each side. Panels are mounted using a steel restraint profile in the colour of the frame

### Frame

Steel tubular frame in black powder-coat, decorated with architraves in the same colour with the panels

### Dimensions

Standard dimensions for wall openings 88cm to 103cm wide and 200cm to 220cm tall. Possibility of dimensions per 1cm for up to A = 105cm and a = 220cm.

### Locking system

Gear lock system with 18 locking points, (12 moving, 5 fixed) and opening limiter - latch. Branded european cylinder with 1 + 5 keys

### Hinges

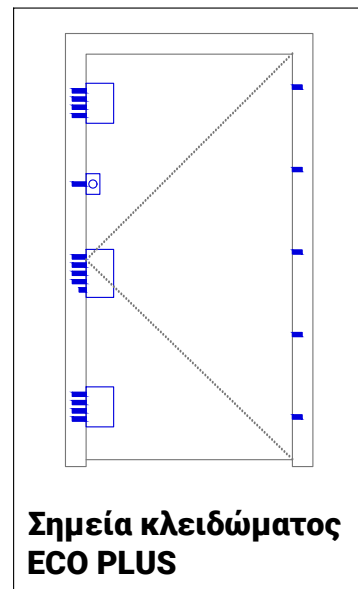
Two heavy-duty hinges, adjustable in two dimensions

### Ironmongery

Lever, limiter latch, outside ball handle, eye-viewer in argent or bronze colour

### Insulation

Dropdown seal on the doorleaf, epdm gasket on the frame



**DOOR ECO PLUS**  
**18 locking points...**  
**made to measure**